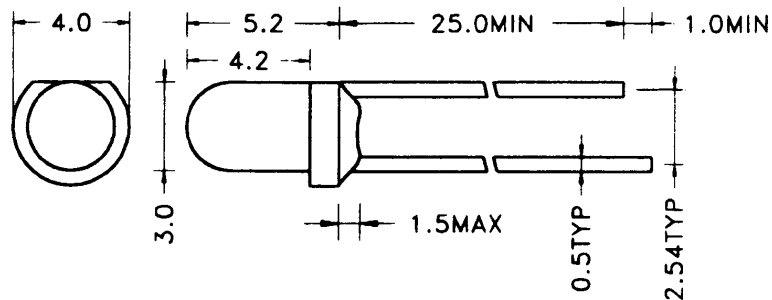


Color	Type	Technology	Case
White	W-330	InGaN	3 mm plastic lens, water clear



Maximum Ratings at $T_a = 25^\circ\text{C}$

Parameter	Test conditions	Symbol	Value	Unit
Forward current		I_F	25	mA
Peak forward current	Duty 1/10, $f \leq 10$ kHz	I_{FP}	100	mA
Power dissipation		P_D	100	mW
Reverse voltage	$I_R = 10 \mu\text{A}$	V_R	5	V
Reverse current	$U_R = 5$ V	I_R	10	μA
Electrostatic discharge	Human body model	ESD	150	V
Operating temperature		T_{opr}	-20 to +75	$^\circ\text{C}$
Storage temperature		T_{stg}	-30 to +80	$^\circ\text{C}$
Soldering temperature	5 sec max, 3 mm from body	T_{sol}	260	$^\circ\text{C}$

Electrical and Optical Characteristics at $T_a = 25^\circ\text{C}$

Parameter	Test conditions	Symbol	Min.	Typ.	Max.	Unit
Forward voltage	$I_F = 20$ mA	V_F	2.8	3.3	4.0	V
Color temperature	$I_F = 20$ mA	CCT		7800		K
Chromaticity coordinates	$I_F = 20$ mA	X		0.30		
	$I_F = 20$ mA	Y		0.30		
Luminous intensity	$I_F = 20$ mA	I_v		8500		mcd
Luminous flux	$I_F = 20$ mA	Φ_v		3250		mlm
Radiant power	$I_F = 20$ mA	Φ_e		12.8		mW
Viewing angle	$I_F = 20$ mA	φ		30		deg.