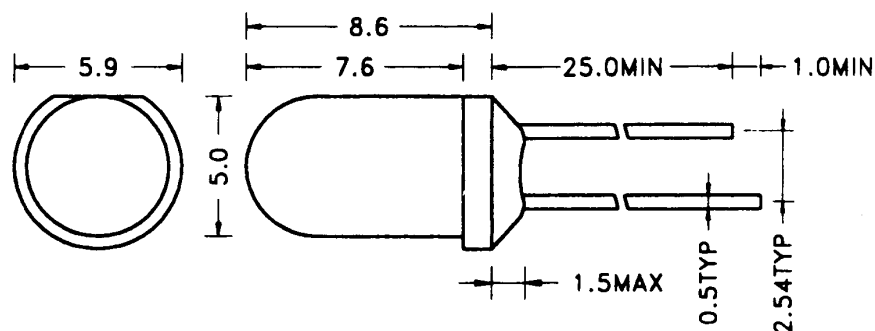


| Color | Type | Technology | Case |
|-------|-------------|------------|-----------------------------------|
| Green | G-525-526/C | InGaN/GaN | 5 mm plastic lens, water clear |



Maximum Ratings at $T_a = 25^\circ\text{C}$

| Parameter | Test conditions | Symbol | Value | Unit |
|-------------------------|----------------------------|-----------|-------------|------------------|
| Forward current | | I_F | 30 | mA |
| Peak forward current | Duty 1/10, $f \leq 10$ kHz | I_{FP} | 100 | mA |
| Power dissipation | | P_D | 120 | mW |
| Reverse voltage | $I_R = 10 \mu\text{A}$ | V_R | 5 | V |
| Reverse current | $U_R = 5$ V | I_R | 50 | μA |
| Electrostatic discharge | Human body model | ESD | 150 | V |
| Operating temperature | | T_{opr} | -20 to +80 | $^\circ\text{C}$ |
| Storage temperature | | T_{stg} | -30 to +100 | $^\circ\text{C}$ |
| Soldering temperature | 5 sec max, 2 mm from body | T_{sol} | 260 | $^\circ\text{C}$ |

Optical and Electrical Characteristics at $T_a = 25^\circ\text{C}$

| Parameter | Test conditions | Symbol | Min. | Typ. | Max. | Unit |
|---------------------|-----------------|-----------------|------|------|------|------|
| Forward voltage | $I_F = 20$ mA | V_F | | 3.5 | 4.0 | V |
| Luminous intensity | $I_F = 20$ mA | I_V | 5300 | 8000 | | mcd |
| Luminous flux | $I_F = 20$ mA | Φ_V | | 2100 | | mlm |
| Radiant power | $I_F = 20$ mA | Φ_e | | 5.2 | | mW |
| Peak wavelength | $I_F = 20$ mA | λ_p | | 518 | 527 | nm |
| Dominant wavelength | $I_F = 20$ mA | λ_d | | 525 | | nm |
| Spectral halfwidth | $I_F = 20$ mA | $\Delta\lambda$ | | 36 | | nm |
| Viewing angle | $I_F = 20$ mA | φ | | 26 | | deg. |