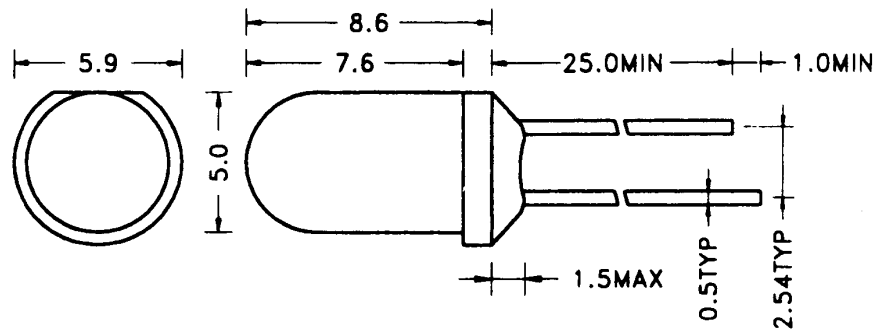


Color	Type	Technology	Case
Orange	O-610-515/B	AllnGaP/GaAs	5 mm plastic lens, water clear



### Maximum Ratings at $T_a = 25^\circ\text{C}$

Parameter	Test conditions	Symbol	Value	Unit
Forward current		$I_F$	40	mA
Peak forward current	Duty 1/10, $t \leq 10 \mu\text{s}$	$I_{FP}$	100	mA
Power dissipation		$P_D$	100	mW
Reverse voltage	$I_R = 10 \mu\text{A}$	$V_R$	5	V
Reverse current	$U_R = 5 \text{ V}$	$I_R$	10	$\mu\text{A}$
Electrostatic discharge	Human body model	ESD	2000	V
Operating temperature		$T_{opr}$	-55 to +100	$^\circ\text{C}$
Storage temperature		$T_{stg}$	-55 to +100	$^\circ\text{C}$
Soldering temperature	5 sec max, 4 mm from body	$T_{sol}$	260	$^\circ\text{C}$

### Optical and Electrical Characteristics at $T_a = 25^\circ\text{C}$

Parameter	Test conditions	Symbol	Min.	Typ.	Max.	Unit
Forward voltage	$I_F = 20 \text{ mA}$	$V_F$	1.8	2.0	2.4	V
Luminous intensity	$I_F = 20 \text{ mA}$	$I_V$		7100		mcd
Luminous flux	$I_F = 20 \text{ mA}$	$\Phi_V$		1100		mlm
Radiant power	$I_F = 20 \text{ mA}$	$\Phi_e$		3.7		mW
Peak wavelength	$I_F = 20 \text{ mA}$	$\lambda_p$		610		nm
Dominant wavelength	$I_F = 20 \text{ mA}$	$\lambda_d$	600	605	609	nm
Spectral halfwidth	$I_F = 20 \text{ mA}$	$\Delta\lambda$		16		nm
Viewing angle	$I_F = 20 \text{ mA}$	$\varphi$		15		deg.