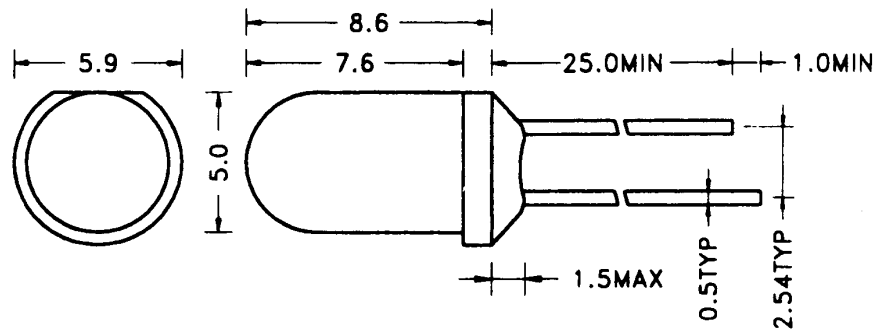


Color	Type	Technology	Case
Orange	O-610-526/B	AllnGaP/GaAs	5 mm plastic lens, water clear



Maximum Ratings at $T_a = 25^\circ\text{C}$

Parameter	Test conditions	Symbol	Value	Unit
Forward current		I_F	40	mA
Peak forward current	Duty 1/10, $t \leq 10 \mu\text{s}$	I_{FP}	100	mA
Power dissipation		P_D	100	mW
Reverse voltage	$I_R = 10 \mu\text{A}$	V_R	5	V
Reverse current	$U_R = 5 \text{ V}$	I_R	10	μA
Electrostatic discharge	Human body model	ESD	2000	V
Operating temperature		T_{opr}	-55 to +100	$^\circ\text{C}$
Storage temperature		T_{stg}	-55 to +100	$^\circ\text{C}$
Soldering temperature	5 sec max, 4 mm from body	T_{sol}	260	$^\circ\text{C}$

Optical and Electrical Characteristics at $T_a = 25^\circ\text{C}$

Parameter	Test conditions	Symbol	Min.	Typ.	Max.	Unit
Forward voltage	$I_F = 20 \text{ mA}$	V_F	1.8	2.0	2.4	V
Luminous intensity	$I_F = 20 \text{ mA}$	I_V		4000		mcd
Luminous flux	$I_F = 20 \text{ mA}$	Φ_V		1300		mlm
Radiant power	$I_F = 20 \text{ mA}$	Φ_e		4.1		mW
Peak wavelength	$I_F = 20 \text{ mA}$	λ_p		610		nm
Dominant wavelength	$I_F = 20 \text{ mA}$	λ_d	600	605	609	nm
Spectral halfwidth	$I_F = 20 \text{ mA}$	$\Delta\lambda$		16		nm
Viewing angle	$I_F = 20 \text{ mA}$	φ		26		deg.