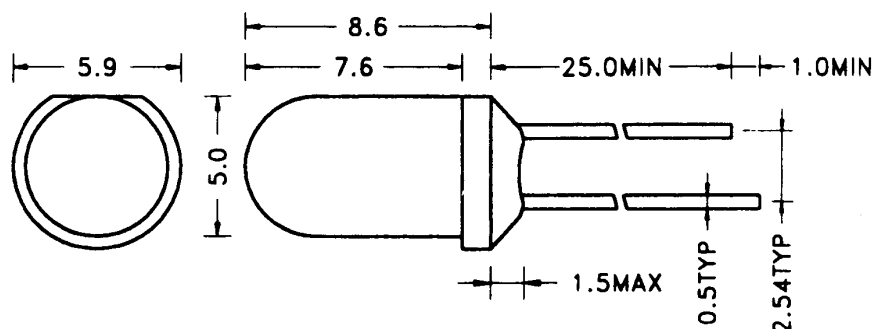


| Color  | Type        | Technology   | Case                           |
|--------|-------------|--------------|--------------------------------|
| Orange | O-620-520/B | AllnGaP/GaAs | 5 mm plastic lens, water clear |



### Maximum Ratings at $T_a = 25^\circ\text{C}$

| Parameter               | Test conditions            | Symbol    | Value       | Unit             |
|-------------------------|----------------------------|-----------|-------------|------------------|
| Forward current         |                            | $I_F$     | 30          | mA               |
| Peak forward current    | Duty 1/10, $f \leq 10$ kHz | $I_{FP}$  | 60          | mA               |
| Power dissipation       |                            | $P_D$     | 80          | mW               |
| Reverse voltage         | $I_R = 10 \mu\text{A}$     | $V_R$     | 5           | V                |
| Reverse current         | $U_R = 5$ V                | $I_R$     | 10          | $\mu\text{A}$    |
| Electrostatic discharge | Human body model           | ESD       | 2000        | V                |
| Operating temperature   |                            | $T_{opr}$ | -40 to +85  | $^\circ\text{C}$ |
| Storage temperature     |                            | $T_{stg}$ | -40 to +100 | $^\circ\text{C}$ |
| Soldering temperature   | 5 sec max, 2 mm from body  | $T_{sol}$ | 260         | $^\circ\text{C}$ |

### Optical and Electrical Characteristics at $T_a = 25^\circ\text{C}$

| Parameter           | Test conditions | Symbol          | Min. | Typ. | Max. | Unit |
|---------------------|-----------------|-----------------|------|------|------|------|
| Forward voltage     | $I_F = 20$ mA   | $V_F$           | 1.7  | 1.9  | 2.6  | V    |
| Luminous intensity  | $I_F = 20$ mA   | $I_V$           | 1800 | 3400 |      | mcd  |
| Luminous flux       | $I_F = 20$ mA   | $\Phi_V$        |      | 470  |      | mlm  |
| Radiant power       | $I_F = 20$ mA   | $\Phi_e$        |      | 3.0  |      | mW   |
| Peak wavelength     | $I_F = 20$ mA   | $\lambda_p$     |      | 620  |      | nm   |
| Dominant wavelength | $I_F = 20$ mA   | $\lambda_d$     |      | 620  |      | nm   |
| Spectral halfwidth  | $I_F = 20$ mA   | $\Delta\lambda$ |      | 17   |      | nm   |
| Viewing angle       | $I_F = 20$ mA   | $\varphi$       |      | 20   |      | deg. |