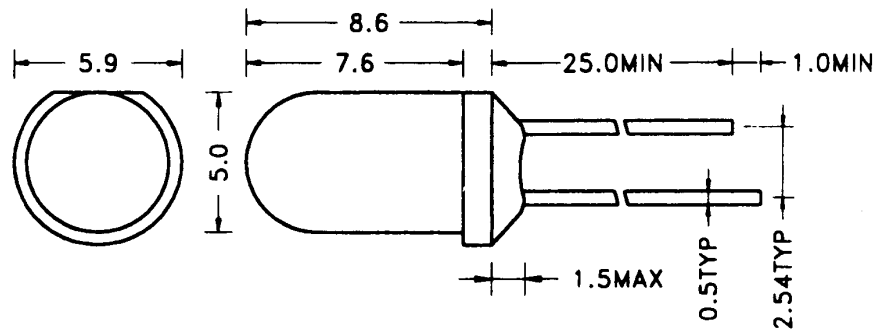


Color	Type	Technology	Case
Red	R-630-520	AllnGaP/GaAs	5 mm plastic lens, water clear



Maximum Ratings at $T_a = 25^\circ\text{C}$

Parameter	Test conditions	Symbol	Value	Unit
Forward current		I_F	50	mA
Peak forward current	Duty 1/10, $f \leq 10$ kHz	I_{FP}	130	mA
Power dissipation		P_D	120	mW
Reverse voltage	$I_R = 10 \mu\text{A}$	V_R	5	V
Reverse current	$U_R = 5$ V	I_R	10	μA
Electrostatic discharge	Human body model	ESD	2000	V
Operating temperature		T_{opr}	-40 to +85	$^\circ\text{C}$
Storage temperature		T_{stg}	-40 to +100	$^\circ\text{C}$
Soldering temperature	5 sec max, 2 mm from body	T_{sol}	260	$^\circ\text{C}$

Electrical and Optical Characteristics at $T_a = 25^\circ\text{C}$

Parameter	Test conditions	Symbol	Min.	Typ.	Max.	Unit
Forward voltage	$I_F = 20$ mA	V_F	1.5	1.8	2.4	V
Luminous intensity	$I_F = 20$ mA	I_V	1500	2700		mcd
Luminous flux	$I_F = 20$ mA	Φ_V		390		mlm
Radiant power	$I_F = 20$ mA	Φ_e		3.2		mW
Peak wavelength	$I_F = 20$ mA	λ_p		630	644	nm
Dominant wavelength	$I_F = 20$ mA	λ_d		630		nm
Spectral halfwidth	$I_F = 20$ mA	$\Delta\lambda$	14	20		nm
Viewing angle	$I_F = 20$ mA	φ		20		deg.