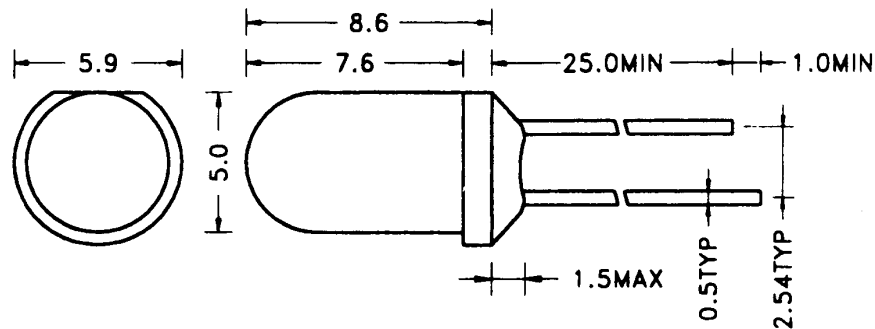


| Color | Type       | Technology  | Case                              |
|-------|------------|-------------|-----------------------------------|
| Red   | RH-630-544 | AllnGaP/GaP | 5 mm plastic lens,<br>water clear |



### Maximum Ratings at $T_a = 25^\circ\text{C}$

| Parameter               | Test conditions            | Symbol    | Value       | Unit             |
|-------------------------|----------------------------|-----------|-------------|------------------|
| Forward current         |                            | $I_F$     | 50          | mA               |
| Peak forward current    | Duty 1/10, $f \leq 10$ kHz | $I_{FP}$  | 100         | mA               |
| Power dissipation       |                            | $P_D$     | 130         | mW               |
| Reverse voltage         | $I_R = 10 \mu\text{A}$     | $V_R$     | 5           | V                |
| Reverse current         | $U_R = 5$ V                | $I_R$     | 10          | $\mu\text{A}$    |
| Electrostatic discharge | Human body model           | ESD       | 2000        | V                |
| Operating temperature   |                            | $T_{opr}$ | -40 to +85  | $^\circ\text{C}$ |
| Storage temperature     |                            | $T_{stg}$ | -40 to +100 | $^\circ\text{C}$ |
| Soldering temperature   | 5 sec max, 2 mm from body  | $T_{sol}$ | 260         | $^\circ\text{C}$ |

### Optical and Electrical Characteristics at $T_a = 25^\circ\text{C}$

| Parameter           | Test conditions | Symbol          | Min. | Typ. | Max. | Unit |
|---------------------|-----------------|-----------------|------|------|------|------|
| Forward voltage     | $I_F = 20$ mA   | $V_F$           | 1.7  | 2.4  | 2.6  | V    |
| Luminous intensity  | $I_F = 20$ mA   | $I_V$           |      | 2700 |      | mcd  |
| Luminous flux       | $I_F = 20$ mA   | $\Phi_V$        |      | 1300 |      | lm   |
| Radiant power       | $I_F = 20$ mA   | $\Phi_e$        |      | 9.8  |      | mW   |
| Peak wavelength     | $I_F = 20$ mA   | $\lambda_p$     |      | 630  |      | nm   |
| Dominant wavelength | $I_F = 20$ mA   | $\lambda_d$     |      | 630  |      | nm   |
| Spectral halfwidth  | $I_F = 20$ mA   | $\Delta\lambda$ |      | 20   |      | nm   |
| Viewing angle       | $I_F = 20$ mA   | $\varphi$       |      | 44   |      | deg. |