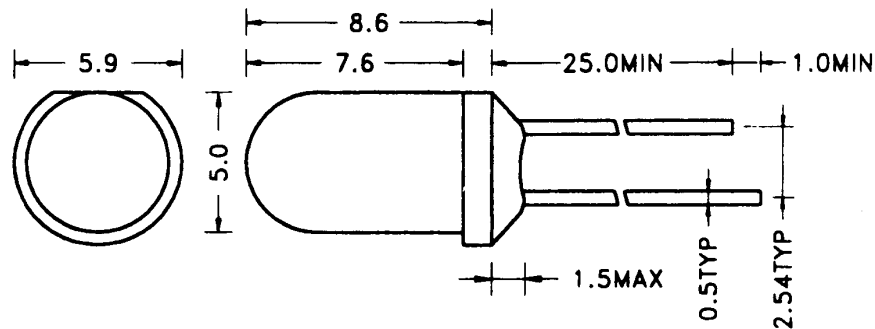


Color	Type	Technology	Case
Violet	V-405-520	InGaN	5 mm plastic lens, water clear



Maximum Ratings at $T_a = 25^\circ\text{C}$

Parameter	Test conditions	Symbol	Value	Unit
Forward current		I_F	30	mA
Peak forward current	Duty 1/10, $f \leq 10$ kHz	I_{FP}	100	mA
Power dissipation		P_D	135	mW
Reverse voltage	$I_R = 10 \mu\text{A}$	V_R	5	V
Reverse current	$U_R = 5$ V	I_R	50	μA
Electrostatic discharge	Human body model	ESD	500	V
Operating temperature		T_{opr}	-40 to +80	$^\circ\text{C}$
Storage temperature		T_{stg}	-40 to +85	$^\circ\text{C}$
Soldering temperature	3 sec max, 2 mm from body	T_{sol}	260	$^\circ\text{C}$

Optical and Electrical Characteristics at $T_a = 25^\circ\text{C}$

Parameter	Test conditions	Symbol	Min.	Typ.	Max.	Unit
Forward voltage	$I_F = 20$ mA	V_F		3.8	4.5	V
Luminous intensity	$I_F = 20$ mA	I_V	100	200		mcd
Luminous flux	$I_F = 20$ mA	Φ_V		40		mlm
Radiant power	$I_F = 20$ mA	Φ_e		8		mW
Peak wavelength	$I_F = 20$ mA	λ_p		405		nm
Dominant wavelength	$I_F = 20$ mA	λ_d		405		nm
Spectral halfwidth	$I_F = 20$ mA	$\Delta\lambda$		13		nm
Viewing angle	$I_F = 20$ mA	φ		20		deg.