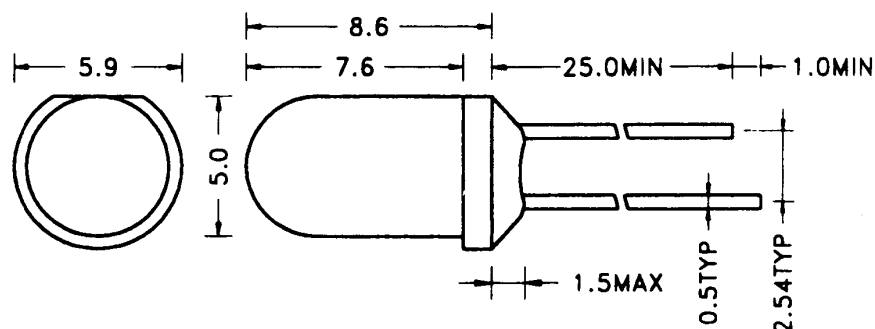


Color	Type	Technology	Case
Warm white	WW-550WD	InGaN	5 mm plastic lens, white diffused



### Maximum Ratings at $T_a = 25^\circ\text{C}$

Parameter	Test conditions	Symbol	Value	Unit
Forward current		$I_F$	25	mA
Peak forward current	Duty 1/10, $f \leq 10$ kHz	$I_{FP}$	100	mA
Power dissipation		$P_D$	100	mW
Reverse voltage	$I_R = 10 \mu\text{A}$	$V_R$	5	V
Reverse current	$U_R = 5$ V	$I_R$	10	$\mu\text{A}$
Electrostatic discharge	Human body model	ESD	150	V
Operating temperature		$T_{opr}$	-20 to +75	$^\circ\text{C}$
Storage temperature		$T_{stg}$	-30 to +80	$^\circ\text{C}$
Soldering temperature	5 sec max, 3 mm from body	$T_{sol}$	260	$^\circ\text{C}$

### Electrical and Optical Characteristics at $T_a = 25^\circ\text{C}$

Parameter	Test conditions	Symbol	Min.	Typ.	Max.	Unit
Forward voltage	$I_F = 20$ mA	$V_F$	2.8	3.3	4.0	V
Color temperature	$I_F = 20$ mA	CCT		3200		K
Chromaticity coordinates	$I_F = 20$ mA	X		0.43		
	$I_F = 20$ mA	Y		0.41		
Luminous intensity	$I_F = 20$ mA	$I_v$		3800		mcd
Luminous flux	$I_F = 20$ mA	$\Phi_v$		3000		mlm
Radiant power	$I_F = 20$ mA	$\Phi_e$		10		mW
Viewing angle	$I_F = 20$ mA	$\varphi$		50		deg.