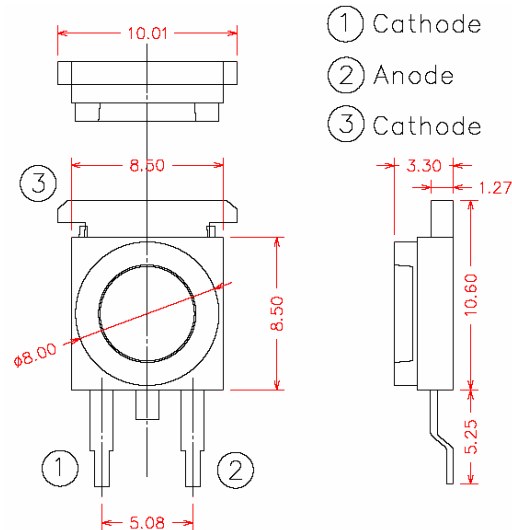


Color	Type	Technology	Case
Green	G-525-T110-350	InGaN/Al ₂ O ₃	TO220, short pins



Maximum Ratings at T_a = 25°C

Parameter	Test conditions	Symbol	Value	Unit
Forward current		I _F	350	mA
Peak forward current	Duty 1/100, f ≤ 1 kHz	I _{FP}	500	mA
Power dissipation		P _D	1.5	W
Reverse voltage	I _R = 10 μA	V _R	5	V
Reverse current	U _R = 5 V	I _R	50	μA
Operating temperature		T _{opr}	-20 to +70	°C
Storage temperature		T _{stg}	-40 to +85	°C
Soldering temperature	5 sec max, 2 mm from body	T _{sol}	260	°C

Electrical and Optical Characteristics at T_a = 25°C

Parameter	Test conditions	Symbol	Min.	Typ.	Max.	Unit
Forward voltage	I _F = 350 mA	V _F	-	3.4	4.2	V
Luminous flux	I _F = 350 mA	Φ _V	10	25	-	lm
Peak wavelength	I _F = 350 mA	λ _p	-	525	-	nm
Dominant wavelength	I _F = 350 mA	λ _d	-	525	-	nm
Spectral halfwidth	I _F = 350 mA	Δλ	-	50	-	nm
Viewing angle	I _F = 350 mA	φ	-	110	-	deg.
Thermal resistance junction to board	I _F = 350 mA	Rθ _{J-B}	-	22	-	K/W